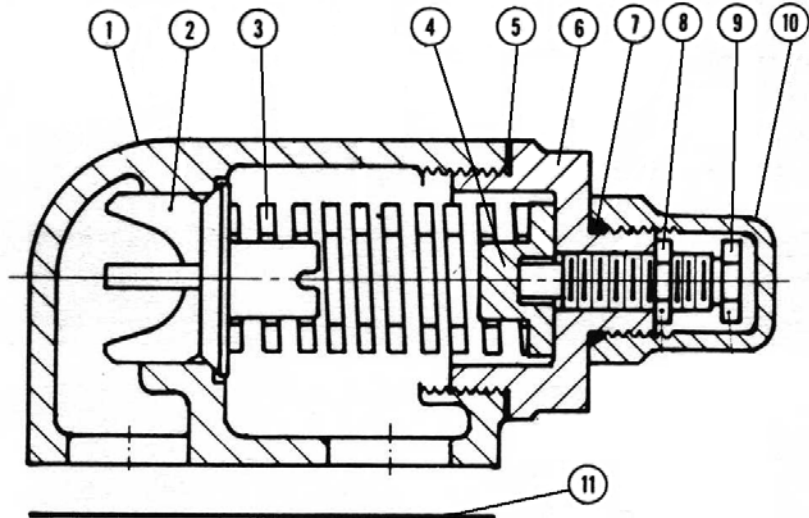


MODEL "G" Relief Valve

For Pump Models G-115, GX2-115, GG-190
Standard Relief Valve P/N 425-03-100-310
Return-To-Tank-Relief Valve P/N 425-03-150-310

Subject to change without notice
F.O.B. Factory

Supercedes all previous parts lists



ITEM	DESCRIPTION	MATERIAL	PART NUMBER	QTY	PRICE
1	Relief Valve Body	Iron - Standard RV	400-02-050-310	1	
		Iron - RTT RV	400-02-100-310	1	
2	Poppet	Ductile Iron	415-02-200-210	1	
3	Spring	Steel (Blue) 45-250 PSI Range (Std)	495-00-150-726	1	
		Steel (Green) 25-160 PSI Range (Opt)	495-00-100-726	1	
4	Retainer Disc	Steel	420-02-100-610	1	
5	Cap Gasket	Standard .015	245-00-280-240	2	
6	Cap	Iron	410-02-100-310	1	
7	Bonnet Gasket	Standard #017	360-00-400-120	1	
8	Adjusting Nut	Steel	398-02-050-605	1	
9	Adjusting Screw	Steel	399-02-050-605	1	
10	Bonnet	Steel	405-02-200-610	1	
11	Port Gasket	Standard .031	245-00-210-240	1	