

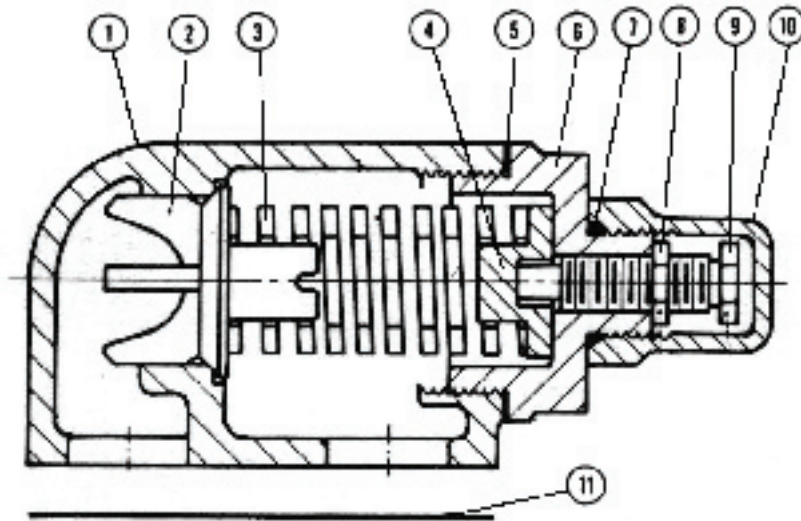
VICAN PUMP - RELIEF VALVE ASSEMBLY PARTS LIST

Valve No. 3-795-208-000-XX

For Pump Models: H-75, H-475, HJ-75, HJ-475, HL-75, HL-475

Bulletin: EVD-H475RV-C
 Issue: A
 Effective: 31-Aug-05

Subject to change without notice Supercedes all previous parts lists



ITEM	DESCRIPTION	MATERIAL	PART NUMBER	QTY	PRICE
1	Relief Valve Body	Iron - Standard RV	2-795-005-100-00	1	
2	Poppet	Iron	2-796-005-100-00	1	
3	Spring	Steel	See Parts List	1	
4	Spring Guide	Steel	2-799-007-375-00	1	
5	Bonnet Gasket	Pipe Dope	Pipe Dope	n/a	
6	Bonnet	Iron	2-797-00-100-00	1	
7	Cap Gasket	Standard	2-305-009-808-40	1	
8	Locknut	Plated Steel	2-503-004-376-00	1	
9	Adjusting Screw	Plated Steel	2-595-004-376-00	1	
10	Cap	Plated Steel	2-798-004-376	1	
11	RV Port Gasket	Standard	2-316-003-806-30	1	

Pump	Pressure Range - PSI	Spring Colour	Part Number	XX Code	Price
H 75/475	25 to 50 PSI	Black-White-Black	2-761-003-371-00	03	
	51 to 80 PSI	Blue-White-Blue	2-761-004-371-00	04	
	81 to 150 PSI	Yellow-White-Yellow	2-761-016-371-01	16	
HJ 75/475	25 to 50 PSI	Black-White-Black	2-761-003-371-00	03	
	51 to 80 PSI	Blue-White-Blue	2-761-004-371-00	04	
	81 to 160 PSI	Yellow-White-Yellow	2-761-016-371-01	16	
HL 75/475	40 to 50 PSI	Black-White-Black	2-761-003-371-00	03	
	51 to 80 PSI	Blue-White-Blue	2-761-004-371-00	04	
	81 to 165 PSI	Yellow-White-Yellow	2-761-016-371-01	16	