

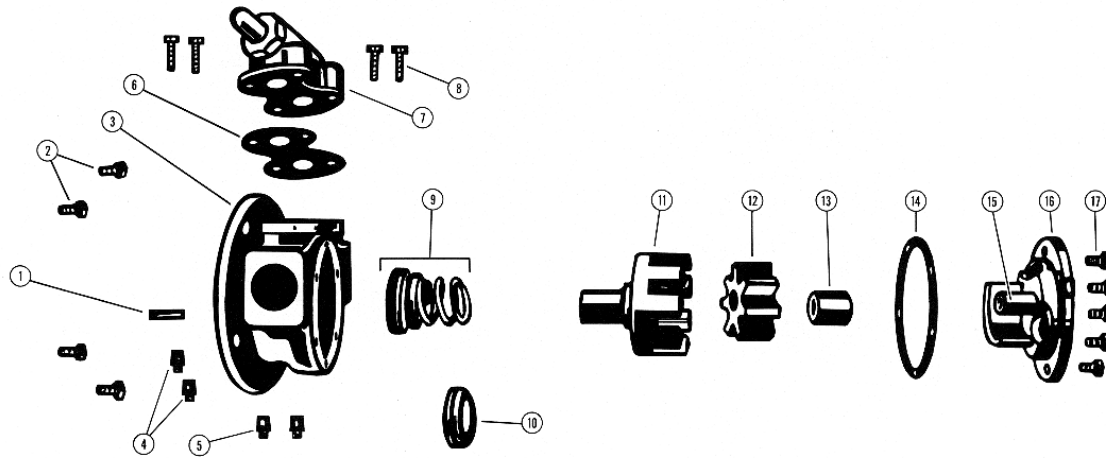
VICAN HEAVY DUTY UNMOUNTED PUMP

BULLETIN: EVD-HJ75-475-C  
 PAGE: 1  
 EFFECTIVE: A. 25/08/2004

**MODEL HJ-75 with Lipseal and HJ-475 with Mechanical Seal**

Subject to change without notice  
 F.O.B. Factory

Supersedes all previous parts lists



ITEM	DESCRIPTION	MATERIAL	PART NUMBER	QTY	PRICE
1	Key for Motor Shaft	Steel Keystock - 3/16" x 1-3/8"	2-460-047-375-00	1	
2	Capscrew - Motor to Pump	Steel Grade 5 - 3/8" NC 1-1/4" Lg.	2-150-021-255-00	4	
3	Casing	Iron	2-193-819-100-00	1	
4	Suckback Screw	Steel Grade 5 - #10-32 x 3/8" - For Lip Seal Pump Steel Grade 5 - #10-32 x 3/8" - For Mechanical Seal Pump	2-153-001-255-00 2-153-001-255-00	1 2	
5	Pipe Plug	Steel 1/8"	2-542-001-376-00	2	
6	Gasket for Relief Valve or Coverplate	Standard	2-316-003-806-30	1	
7	Internal Pressure Relief Valve	Iron - Pressure Range 25-50 PSI Iron - Pressure Range 51-80 PSI Iron - Pressure Range 81-160 PSI	3-795-208-000-03 3-795-208-000-04 3-795-208-000-16	1 1 1	
8	Capscrew - Relief Valve to Pump Capscrew - Cover Plate to Pump	Steel Grade 5 - 5/16" NC 2-1/2" Lg. Steel Grade 5 - 5/16" NC 3/4" Lg	2-150-008-255-00 2-150-004-255-00	4 4	
9	Mechanical Seal	Buna-N (Standard) Viton (Optional)	2-477-290-999-00 2-477-291-999-00	1 1	
10	Lip Seal	Buna-N	2-283-023-378-00	2	
11	Rotor	Iron - For 56C Motor Iron - For 143TC, 145TC, 182TC, or 184TC Motor	2-567-208-100-24 2-567-207-100-24	1 1	
12	Idler and Bushing Assembly	Iron / Bearing Bronze Iron / Carbon Graphite	3-418-202-099-42 3-418-200-105-42	1 1	
13	Idler Bushing	Bearing Bronze Carbon Graphite	2-095-003-454-02 2-095-012-880-02	1 1	
	Head Gasket (Set)	Standard	3-309-001-999-00	1	
	Idler Pin, Plain	Hardened Steel	2-433-004-291-00	1	
	Head (Plain) and Plain Idler Pin Assembly	Iron / Hardened Steel	3-370-202-088-00	1	
	Capscrew - Head to Pump	Steel Grade 5 - 5/16" NC 3/4 Lg	2-150-004-255-00	6	
	Cover Plate (Not Shown)	Iron	2-294-202-100-00	1	