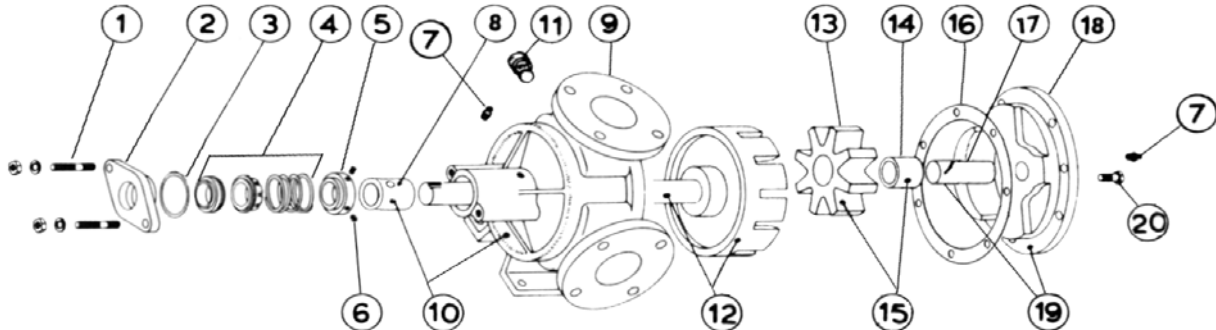


MODEL KK-32 with Mechanical Seal

Subject to change without notice
F.O.B. Windsor, Ontario

Supersedes all previous parts lists



| ITEM | DESCRIPTION | MATERIAL | PART NUMBER | QTY | PRICE |
|------|------------------------------|---|-----------------------------------|-----|-------|
| 1 | Seal Seat Retainer Fasteners | 3/8-16x1 1/4 Hex Cap Screw Grade 5 | 355-00-068-670 | 2 | |
| | | 3/8 Lockwasher | 355-00-532-660 | 2 | |
| 2 | Seal Seat Retainer | Steel | 470-02-472-310 | 1 | |
| 3 | Seal Seat Retainer O-ring | #229 Buna | 360-00-560-120 | 1 | |
| 4 | Mechanical Seal Ass'y | Buna / Carbon vs Ni-Resist / Stl - BF871 | 335-00-195-045 | 1 | |
| | | Buna / Carbon vs Ceramic / SS - BF1C1 | 335-00-150-040 | 1 | |
| | | Viton / Carbon vs Ni-Resist / Stl - XP871 | 335-00-150-055 | 1 | |
| | | Viton / Carbon vs Ceramic / SS - XP1C1 | 335-00-150-050 | 1 | |
| 5 | Driving Ring | Steel | 330-00-100-620 | 1 | |
| 6 | Set Screws | 1/4-20x1/4 Cup Point Socket Set Screw | 355-00-271-660 | 2 | |
| 7 | Grease Fitting | Steel | 325-00-025-605 | 2 | |
| 8 | Casing Bushing | Bronze | 175-02-130-050 | 1 | |
| | | Carbon | 175-02-130-140 | 1 | |
| 9 | Casing | Iron | 190-02-500-310 | 1 | |
| 10 | Casing and Bushing Ass'y | Iron / Bronze | | 1 | |
| | | Iron / Carbon | | 1 | |
| 11 | Pipe Plug | 1/4-18 Hex Head | 390-00-125-605 | 1 | |
| 12 | Rotor and Shaft Ass'y | Iron / Steel | 455-03-470-349 | 1 | |
| | | Ductalloy / Steel | 455-03-470-139 | 1 | |
| 13 | Idler | Iron | 280-02-230-310 | 1 | |
| 14 | Idler Bushing | Bronze | 2-108-009-454-04 | 1 | |
| | | Carbon | 2-108-015-880-04 | 1 | |
| 15 | Idler and Bushing ass'y | Iron / Bronze | 285-03-230-330 | 1 | |
| | | Iron / Carbon | 285-03-230-332 | 1 | |
| 16 | Head Gasket | Standard | 245-00-050-240 | 3 | |
| 17 | Idler Pin | Steel - Greasable | 2-435-012-291-00 | 1 | |
| | | Steel Non-greasable | 295-00-160-690 | 1 | |
| 18 | Head | Iron - Plain | 265-02-330-310 | 1 | |
| | | Iron - Relief Valve | 265-02-340-310 | 1 | |
| 19 | Head and Idler Pin Ass'y | Iron - Plain / Steel - Greasable | 270-03-330-350 | 1 | |
| | | Iron - Relief Valve / Steel - Greasable | 270-03-340-350 | 1 | |
| | | Iron - Plain / Steel - Non-greasable | 270-03-335-350 | 1 | |
| | | Iron - Relief Valve / Steel - Non-greasable | 270-03-345-350 | 1 | |
| 20 | Head Bolts | Plain | 7/16-14x7/8 Hex Cap Screw Grade 5 | 6 | |
| | | Relief Valve | 7/16-14x1 Hex Cap Screw Grade 5 | 4 | |
| | | | 7/16-14x7/8 Socket Head Cap Screw | 2 | |